



MATERIAL



BACTERIOSTATIC

The panel diffuser

VAPO125

The VAPO125 diffuser is fitted with a front panel that can be assembled and removed without tools. This solution makes it easier to keep the product clean.

It is a twin solution to the SYSTEM+ product range offered by AWENTA, which allows the use of plastic panels for Ø125 fans.

Beneath the aesthetic front panel, there is a damper that, similar to other air diffusers, allows for smooth airflow regulation.



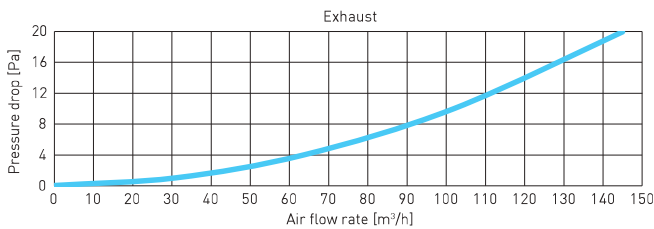
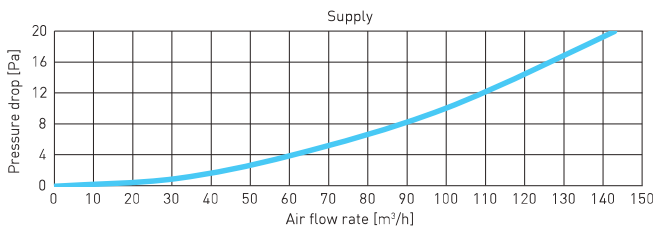
VAPO125/WHITE



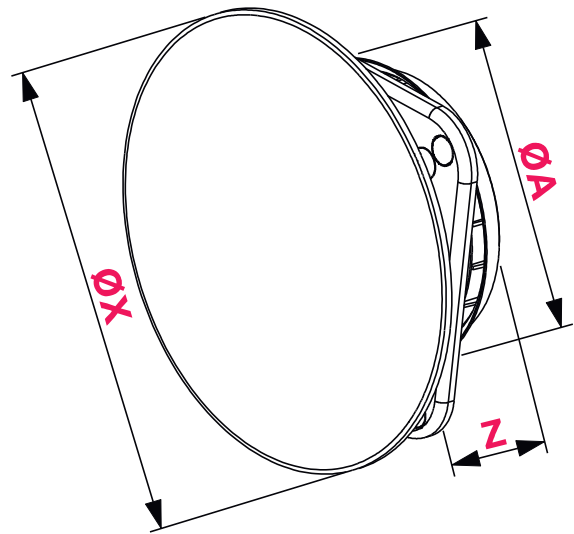
VAPO125CZ/BLACK

AIR FLOW CHARACTERISTICS

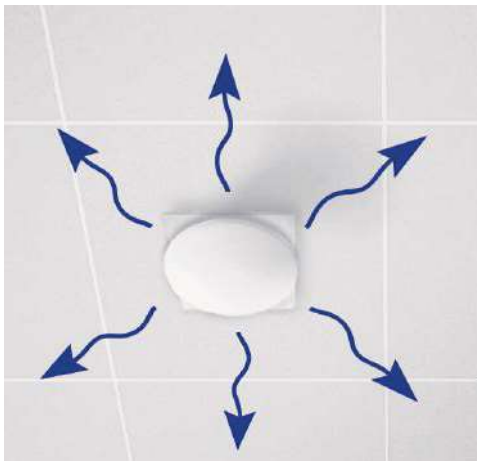
VAPO 125



DIMENSION



	ØX	ØA	Z
VAPO125	200	125	36



WITH **NANOSILVER** ADDITIVE
ELIMINATING UP TO **99%** BACTERIA

