



MATERIAL



BACTERIOSTATIC

The panel diffuser

VAP125

The VAP125 diffuser is fitted with a front panel that can be assembled and removed without tools. This solution makes it easier to keep the product clean.

It is a twin solution to the SYSTEM+ product range offered by AWENTA, which allows the use of plastic panels for Ø125 fans.

Beneath the aesthetic front panel, there is a damper that, similar to other air diffusers, allows for smooth airflow regulation.



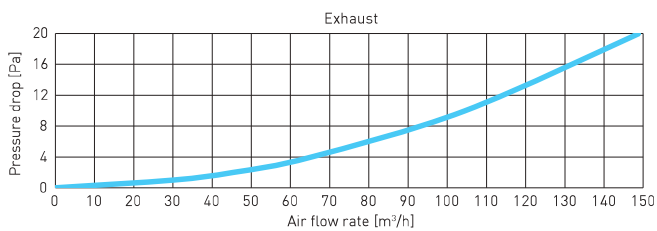
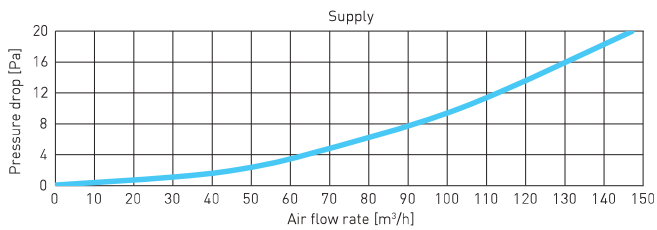
VAP125/WHITE



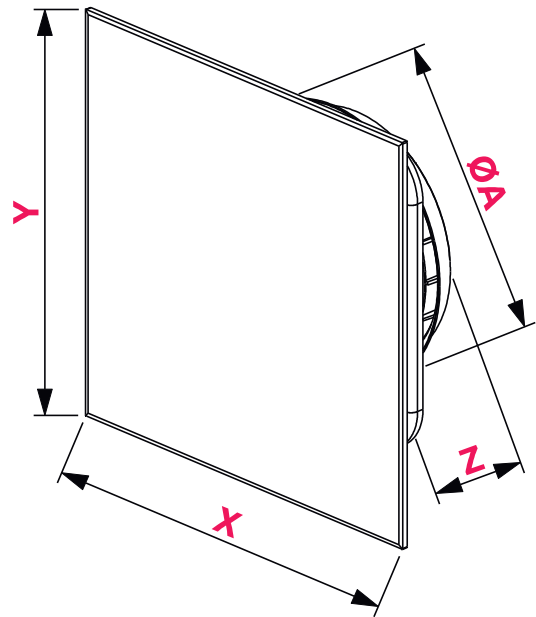
VAP125CZ/BLACK

AIR FLOW CHARACTERISTICS

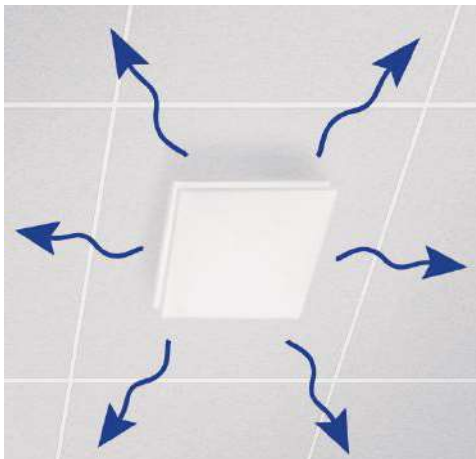
VAP 125



DIMENSION



	X	Y	Z	ØA
VAP125	200	200	36	125



WITH **NANOSILVER** ADDITIVE
ELIMINATING UP TO **99%** BACTERIA

