



# Ceiling plenum box – vertical

VPE125-2

The AWENTA PRO VPE ceiling plenum box (vertical) is an ultra-lightweight solution for use between a suspended ceiling, a ceiling or wall, and in other confined space locations. Mounting of the box to the surface can be additionally reinforced with a typical KP75-28 bracket (DIM. 75X150) from Awenta's product portfolio. The box allows for connecting a maximum of two Ø75 mm ventilation ducts to a supply or exhaust air valve.

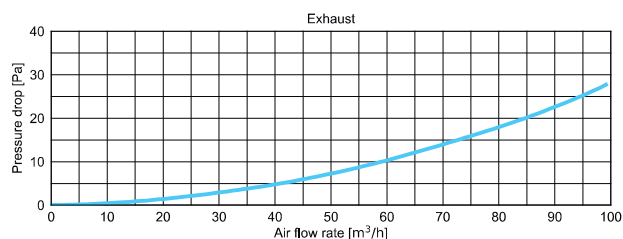
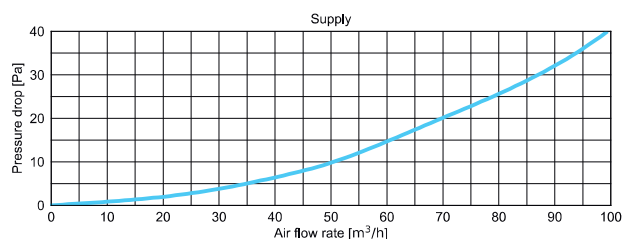
AWENTA PRO plenum boxes are made of durable ABS material. The robust structure guarantees failure-free operation for many years and thanks to the use of bacteriostatic additive the product has obtained 99.99% bacteriostatic activity. The design of the plenum box allows it to be mounted on different surfaces and in different planes.

The Ø75 mm female connectors are equipped with a gasket and special protection of the connected ducts, which ensures the tightness of the entire system in the high D class.

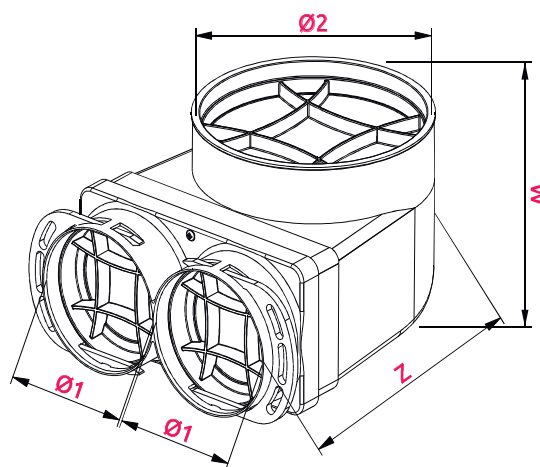
It is possible to install them on floor / wall / ceiling: made of concrete or plasterboard.



## AIR FLOW CHARACTERISTICS



## DIMENSION



	Ø1	Ø2	Z	W
VPE125-2	75	128	202	110

WITH **NANOSILVER** ADDITIVE  
ELIMINATING UP TO 99% BACTERIA