

Exhaust grilles NEW MODEL

VWSM

Endings of ducts in mechanical ventilation systems with heat recovery unit. Designed for external use in residential and public buildings. Equipped with a drip deflector to protect the wall from water droplets and a protective mesh to cover the outlet opening.

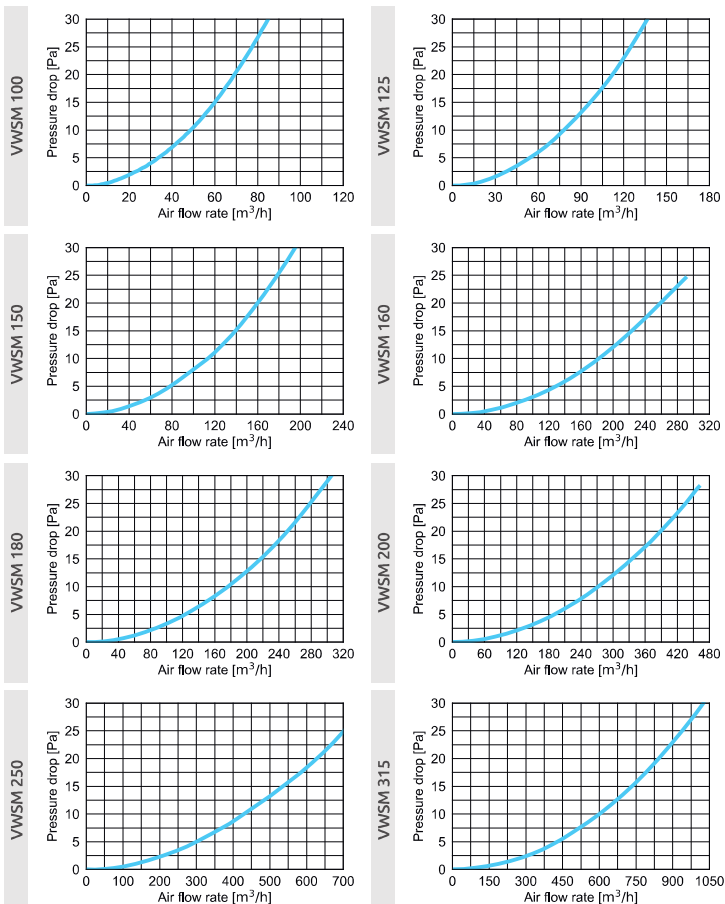
The perpendicular geometry of the air discharge with side closure prevents the wall from getting dirty due to exhausted air. The designed geometry ensures minimal resistance/pressure drop of the expelled air.

A rubber gasket facilitates installation and prevents water from flowing out of the ventilation duct. Mounting holes in the corners allow for attachment to the wall. The side positioning of the detachable outlet front screws facilitates installation and disassembly for maintenance easier.

CHARACTERISTICS OF COLOR VARIANTS

White, Graphite(GR)	Inox(I)
All materials used are suitable for external applications	
<ul style="list-style-type: none"> Galvanized steel sheet with a thickness of 0.7 mm, powder-coated using passivation technology for additional corrosion protection Atrakcyjna kolorystyka stosowana w obecnym budownictwie 	<ul style="list-style-type: none"> High-quality stainless steel sheet - acid-resistant, chrome-nickel (grade: 316L/1.4404) with a thickness of 0.5 - 0.6 mm estetyczna powierzchnia polerowana
Protective mesh for the outlet opening	
Mounting gasket with double-lipped seal	
Fast and easy installation (4 mounting holes in the corners)	

AIR FLOW CHARACTERISTICS



VWSM*/WHITE



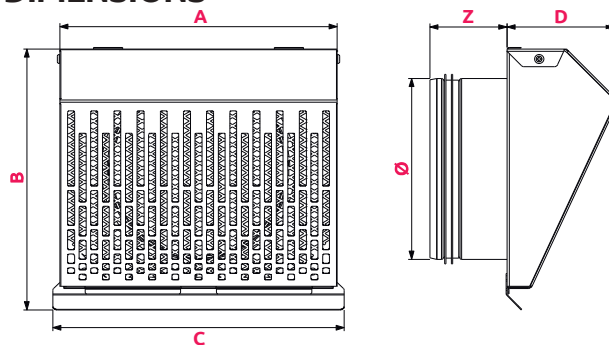
VWSM*GR/GRAPHITE



VWSM*I/INOX

* Connector diameter

DIMENSIONS



NEW MODEL	Ø	A	B	C	D	Z
VWSM100	100	177	162	180	63	56
VWSM125	125	202	190	210	78	61
VWSM150	150	227	215	239	92	66
VWSM160	160	237	224	249	95	66
VWSM180	180	257	245	269	101	66
VWSM200	200	277	264	289	108	66
VWSM250	250	327	314	339	124	66
VWSM315	315	392	379	404	144	76

MOUNTING POSITION

